



KSP®

MACHINE TOOL DIVISION

HPWM800-1100
HPWM800-AC / 1100-AC
**HIGH PRESSURE
WASHING CABIN SERIES**



HPWM SERIES

18



**DETAILED
CLEANING**



**AUTOMATIC
DOOR**



**ARTICULATED
CABIN**



**FULL
CONTROL**

	HPWM800	HPWM1100	HPWM800-AC	HPWM1100-AC
Dimensions of Working Area (mm)	800 x 550	1100 x 700	800 x 550	1100 x 700
Loading Height of the Part (mm)	800	800	800	800
Loading Capacity (kg)	70	100	70	100
Tank Capacity (L)	70	120	70	120
Pump Pressure	60 (150 bar optional)	60 (150 bar optional)	60 (150 bar optional)	60 (150 bar optional)
Pump Capacity (L / min)	14	14	14	14
Pump Quantity and Power	1 pc. x 3,0 Hp	1 pc. x 3,0 Hp	1 pc. x 3,0 Hp	1 pc. x 3,0 Hp
Heater (kW)	9	9	9	9
Electricity (V / Phase / Hz)	220 - 380 - 415 / 1 - 3 / 50 - 60	220 - 380 - 415 / 1 - 3 / 50 - 60	220 - 380 - 415 / 1 - 3 / 50 - 60	220 - 380 - 415 / 1 - 3 / 50 - 60
Pressure Regulating Valves	s	s	s	s
Manometer	s	s	s	s
Air supply (bar)	6 - 7	6 - 7	6 - 7	6 - 7
Temperature	0 - 50°C	0 - 50°C	0 - 50°C	0 - 50°C
Oil Skimmer	o	o	o	o
Foot Switch	s	s	s	s
High Pressure Water Gun	s	s	s	s
Stainless Steel Filter Basket	s	s	s	s
Air Gun for Drying	s	s	s	s
Interior Lighting	s	s	s	s
Air Jet Cleaning Windows	o	o	o	o
Cleaning Wiper	s	s	s	s
Loading System	pneumatic front door	pneumatic front door	articulated cabin	articulated cabin
AISI430 Stainless Steel Material	s	s	s	s
AISI304 Stainless Steel Material	o	o	o	o
AISI316 Stainless Steel Material	o	o	o	o
Packing Size and Weight (mm - kg)	1300 x 720 x 2020 - 325 kg	1330 x 730 x 2000 - 350 kg	1300 x 790 x 1960 - 325 kg	1330 x 830 x 2060 - 350 kg

s standard o optional

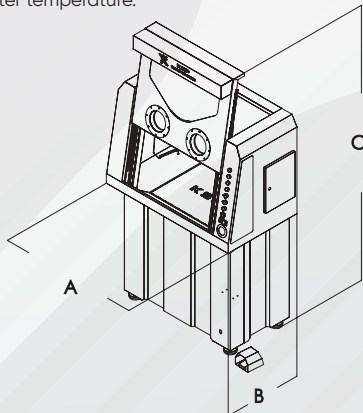


WORKING PRINCIPLE

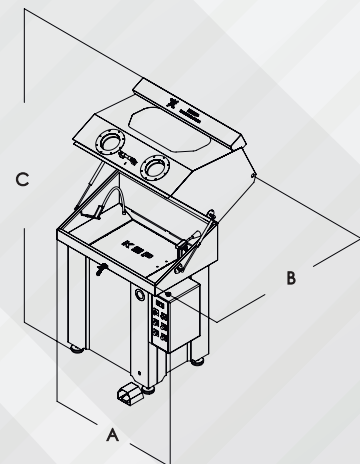
HPWM Series High Pressure Washing Cabinet Series Machines are designed to wash small and complex parts with high pressure and heated water. Thanks to the foot switch, it provides the operator with a much easier and controlled washing experience. The high-water flow and high pressure in the pump provide excellent cleaning. Hot water increases the cleaning effect, and the insulated tank minimizes energy loss. Good lighting in the washing cabin and the cleaning wiper on the window make it easy to see the part and increase operator control during washing. The air gun inside the cabinet helps to dry after washing. There are 3 separate filters in the machine. One is at the tank entrance, the second at the tank exit and third is on the pump line. Thanks to this filtering system, the life of the machine, water and detergent usage life is extended. All filters can be washed and reused so that extra costs are prevented. You will have full control of the machine thanks to the indicator and manometer that you can observe the water temperature.

SPECIFICATIONS

- Stainless Steel Body
- Developed to save water, detergent and energy
- Minimum water consumption by closed circuit water cycling system
- Heated water (solution) dispensed through Washing Gun to the part
- High user safety on pneumatic pistons
- A water level sensor is used to protect the pumps and heaters against dry running
- Heating elements are made of special material incoloy alloy
- European Electrical and Technical Components
- High-performance and reliable European Pumps



	HPWM800	HPWM1100
A	1175	1300
B	700	700
C	2375	2375
C _{close}	1875	1875



	HPWM800-AC	HPWM1100-AC
A	1275	1300
B	1000	1150
C	2050	2100
C _{close}	1850	1950